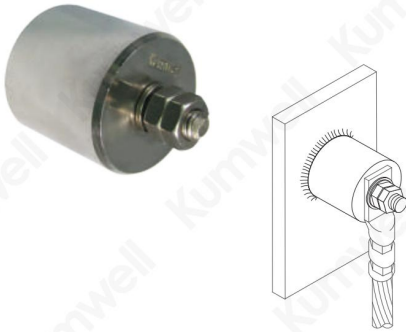


Earth Boss



Code No.	Diameter (Ø) (mm)	L (mm)	Stud Size	Weight (kg)
GXEAB	50	45	M10	0.73
GXEAB-MS	50.8	45	M10	0.75



Material
Stainless Steel - 304 (GXEAB)
Mild Steel (GXEAB-MS)
Stud, Nut - Stainless Steel



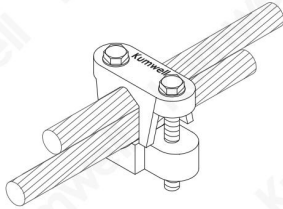
Application
Weld onto steel vessel, tank or other structure for bonding point in grounding & lightning protection

Connector Screw Type



LXCNS XXX-XXX-BS

LXCNS XXX-XXX



Code No.		Cable Size (mm ²)		Bolt Size (in)	Weight (kg)
		Run	Tap		
LXCNS 16-35-BS	LXCNS 16-35	16-35	4-35	1/4x1	0.08
LXCNS 50-70-BS	LXCNS 50-70	50-70	4-70	1/4x1½	0.10
LXCNS 95-120-BS	LXCNS 95-120	95-120	4-120	5/16x2	0.16
LXCNS 150-185-BS	LXCNS 150-185	150-185	4-185	3/8x2	0.39



Material
Copper Alloy - BS EN 1982
Bolt - Stainless Steel or Copper Alloy



Tested Standard
IEC 62561 Part 1
TIS 3024 Part 1



Application
Suitable for joint copper conductor (above ground).

Eye Bolt



Code No.	Thread (in)	Weight (kg)
GXEYB 58	5/8	0.41
GXEYB 34	3/4	0.52



Material
Copper Alloy - BS EN 1982



Application
Connect with ground rod as a static earth point in grounding system